



WECHAT



WEB

Welcome to **HEARKEN**

Actuators and Controls

**Hearken
Here We
Can**

The Trusted, Passionate and focused Partner in Valve Automation

At HEARKEN FLOW, The founding principle of Harkenflow is simple: to Listen our customers needs first, to develop the innovative valve actuators solutions , to meet the unique needs of our customers, Along the way, To help our customers to solve the problems in Valve Automation. We are growing our brand in Pneumatic and Electric Actuators, Accessories..



IP68



Experienced team



Large inventory



Convenient consultation

WHY WE ARE DIFFERENT

We offer a complete valve automation solution by the applications experience and customization capabilities, with an experienced support team to guide you in selection, installation, and project support. In addition we maintain an extensive supply of product inventory on hand so that we can quickly fulfill orders and reduce wait times. Our sales and support staff are readily available and accessible so that customers get the answers they need quickly.

THE TARGET WE ARE PURSUING



High-quality



low cost



Reliable solution

- To build A strong Reputation in Providing Quality, Cost Effective , Reliable And Robust Performance Solutions for Valve Automation,
- Included Pneumatic Actuators, Electrically Actuators, Actuated Valves.



COMMITMENT TO QUALITY

At HEARKEN FLOW means performance, All products manufactured by HEARKEN FLOW are warranted against defects in material and workmanship for a period of 18 months from the day of startup. Each of our products are tested at the factory. we are confident that our products meet or exceed all applicable standards before they ever leave our facility. We are an ISO 9001-2008 certified company. Our Valve Actuators Has Applied for SIL3 Certificate, ATEX Certificate ,CE,Explosion-proof Certificate, IP68 Weather proof etc....

HVM-9 SERIES VALVE MONITOR SS304

Main Features

Stainless Steel 316L (304/316) Switchbox to IP67 fitted with 2 x SPDT switches for indication of fully open and fully closed positions.

- Solid and compact design with high visibility beacon indicator.
- Captive cover bolts are safely retained during installation and maintenance.
- The spring loaded splined cams are easily adjustable with no tools required.
- Dual cable entries are provided.
- Permanent laser marking on the nameplate.
- The switchbox is mounted to the actuator using a NAMUR standard stainless steel mounting bracket.



Technical Specification

Enclosure:

Weatherproof Ip67

Cable Entries:

Two M20

Ambient Temperature:

-50°C - 80°C

Terminal Strips:

8 points (0.08-2.5mm²)

Position Indicator:

0-90°(90° turn free join close: red & open: yellow)

Switches:

Mechanical Switch x 2

Operating Frequency:

600 per minute max (Mechanically) 60 per minute max (Electrical)

Contact Arrangement:

250V AC/16A

250V DC/0.3A

125V DC/0.6A

30V DC/10A

DESIGN CONSTRUCTION

Window/Indicator

PC/ABS

Nameplate

Laser Etched

Terminal Block

8Points

Cam

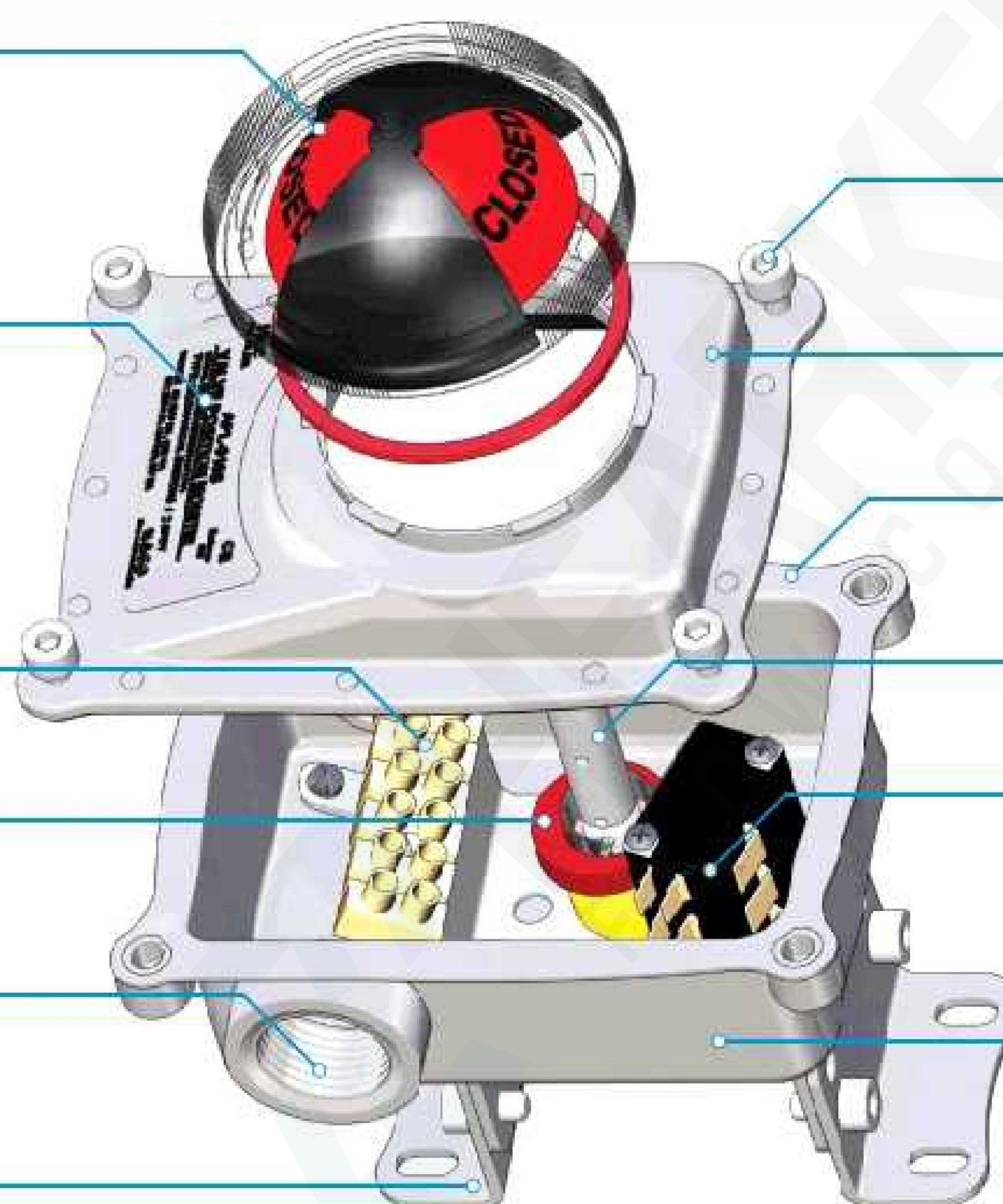
ABS

Cable Entries

2xM20

Bracket Set

Stainless Steel



Captive Cover Bolts
Stainless Steel

Cover
Stainless Steel

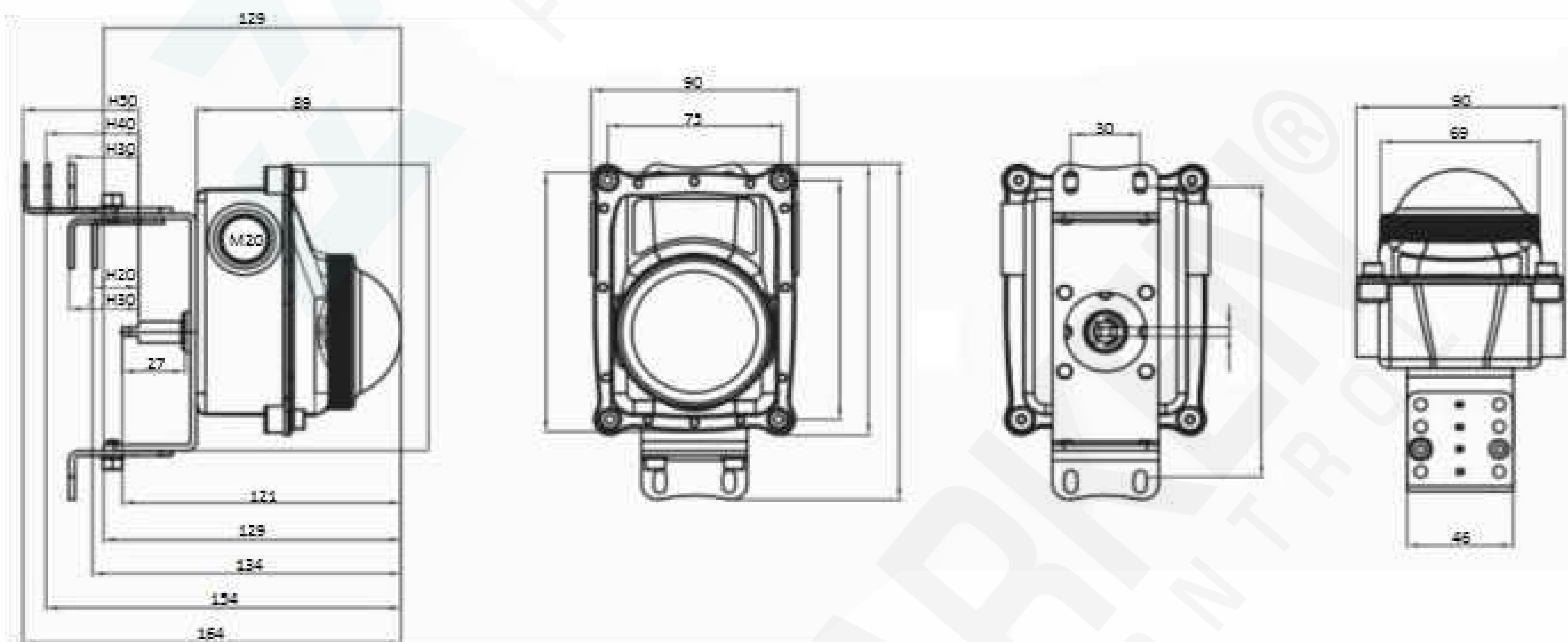
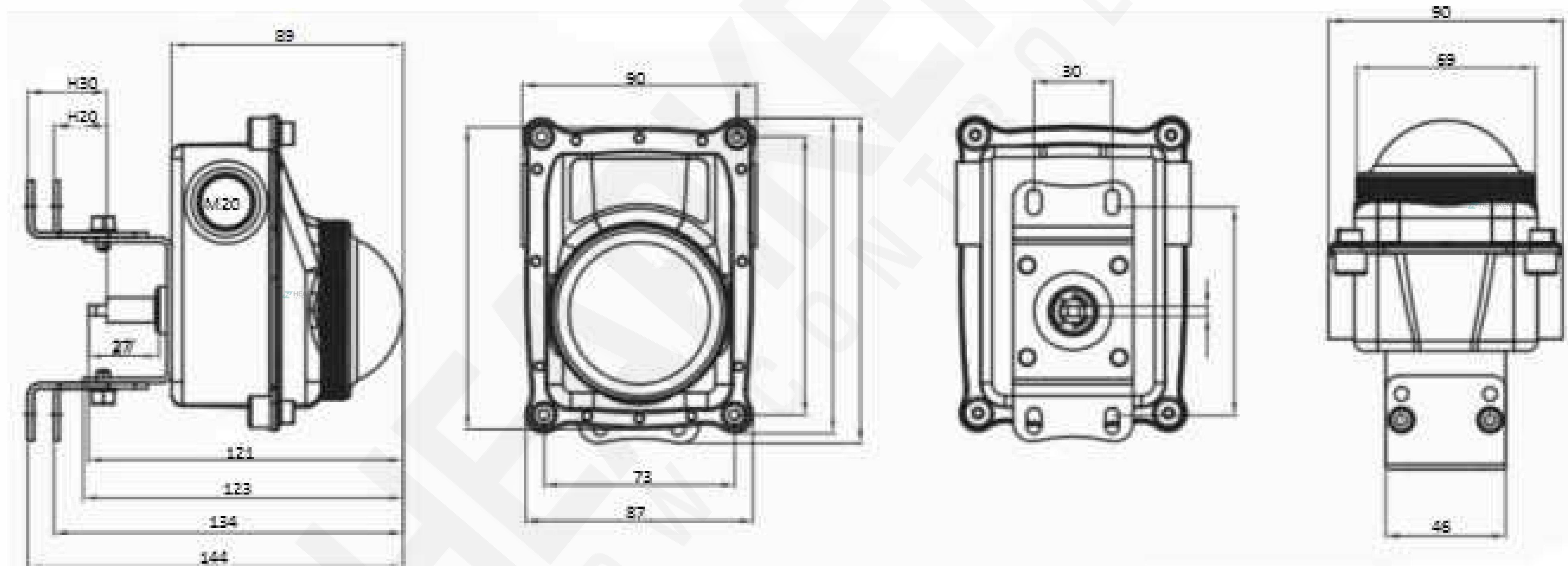
Gasket
NBR

Shaft
Stainless Steel

Switch
Mechanical Switchx2

Body
Stainless Steel

Dimensions in MM



WIRING DIAGRAM MECHANICAL SWITCHES

